



GiANT[®]
BY TOBROCO



COMPACT DESIGN
BIG IN PERFORMANCE

G1100 / G1200

G1100 TELE

G1200 TELE



WWW.TOBROCO-GIANT.COM

TECHNICAL DATA

TYPE	G1100	G1200	G1100 TELE	G1200 TELE
Service weight ¹	1.100 kg	1.100 kg	1.100 kg	1.100 kg
Lifting capacity	1.100 kg	1.100 kg	750 kg	750 kg
Tipping load ²	1.000 kg	1.000 kg	see graph	see graph
DIMENSIONS AND SPEED				
Lifting height ²	2.170 mm	2.170 mm	2.820 mm	2.820 mm
Length without bucket	2.200 mm	2.200 mm	2.240 mm	2.240 mm
Machine height ³	2.060 mm		2.060 mm	
Width on standard tyres	920 mm		920 mm	
Standard tyres	23x8.50-12 AS		23x8.50-12 AS	
Travel speed	0-15 km/h		0-15 km/h	
ENGINE				
	Kubota D722 (Stage V)	Kubota D902 (Stage V)	Kubota D722 (Stage V)	Kubota D902 (Stage V)
Cylinders	3	3	3	3
Engine power	20 HP / 15 kW	25 HP / 17,5 kW	20 HP / 15 kW	25 HP / 17,5 kW
Type	Diesel		Diesel	
Fuel tank capacity	45 l		46 l	
Oil capacity	52 l		48 l	
POWERTRAIN				
Type	Hydrostatic 4 wheel drive		Hydrostatic 4 wheel drive	
Transmission	Automotive control		Automotive control	
Control	Drive back- and forward through electrical switch		Drive back- and forward through electrical switch	
Differential lock	Electric controlled slip differential		Electric controlled slip differential	
Final drive	4 heavy Poclain wheel engines		4 heavy Poclain wheel engines	
Driving hydraulics	65 ltr/min (350 bar)		65 ltr/min (350 bar)	
Working hydraulics	28 ltr/min (150 bar)		28 ltr/min (150 bar)	
Parking brake	Hydraulic multidisk brake		Hydraulic multidisk brake	

STANDARD MACHINE FEATURES

TYPE	G1100	G1200	G1100 TELE	G1200 TELE
GIANT Compact mechanical quick change system	Std	Std	Std	Std
ROPS/FOPS safety roof incl. safety doors (L+R)	Std	Std	Std	Std
Luxury seat incl. safetybelt, armrest and extended backrest	Std	Std	Std	Std
Extension and retraction of the lifting arm, mechanical controlled by lever next to the joystick	-	-	Std	Std
Parallel guidance on lifting arm (by compensating cylinder)	-	-	Std	Std
1x Double acting hydraulic function on lifting arm, mechanical	Std	Std	Std	Std
Floating position on lifting cylinder(s)	Std	Std	Std	Std
Main switch	Std	Std	Std	Std
Tow coupling	Std	Std	Std	Std
Oil cooler	Std	Std	Std	Std
Lifting eyes	Std	Std	Std	Std

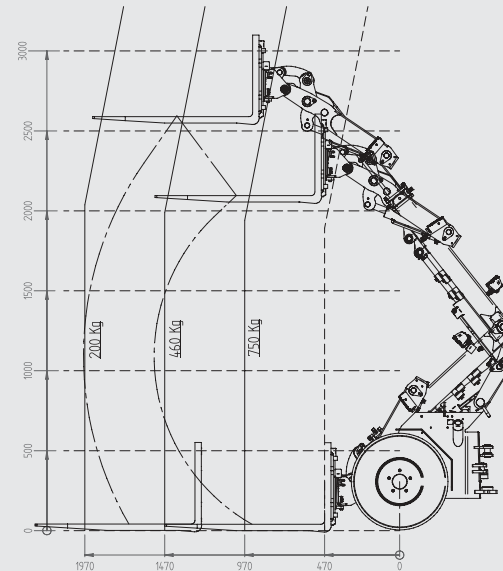
¹ Measured with earthbucket

² Measured with hinge point in straight position on standard tyres

³ Measured on standard tyres with safety roof

TIPPING LOADS

	G1100	G1200
S	1.000 kg	1.000 kg
T	800 kg	800 kg
U	550 kg	550 kg
V	410 kg	410 kg
W	1.690 kg	1.690 kg
X	840 kg	840 kg
Y	510 kg	510 kg



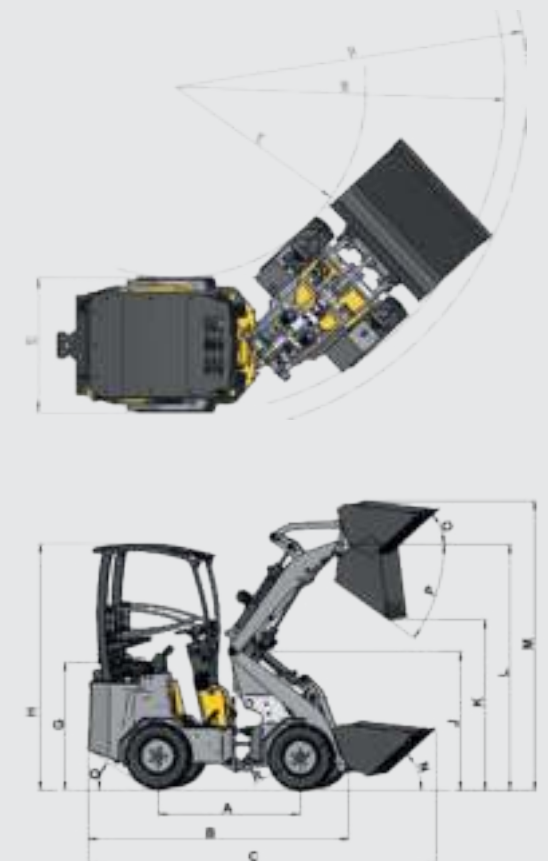
G1100 TELE



G1100

MEASUREMENTS

		Unit	G1100 G1200	G1100 TELE G1200 TELE
A	Wheelbase	mm	1.205	1.247
B	Total length	mm	2.211	2.265
C	Length with bucket	mm	2.911	2.927
D	Length 3 point hitch	mm	-	-
E	3 point hitch in lowest position	mm	-	-
F	3 point hitch in highest position	mm	-	-
G	Seat height	mm	1.020	1.020
H	Max. height with safety roof	mm	2.060	2.060
I	Max. height with cabin	mm	-	-
J	Height front frame	mm	1.380	1.310
K	Max. dumping height	mm	1.408	2.060
L	Lifting height	mm	2.170	2.740
M	Height with bucket	mm	2.976	3.300
N	Rollback angle on the ground	degrees	43	43
O	Rollback angle at max. lift height	degrees	45	50
P	Max. dumping angle	degrees	46	40
Q	Max. loading angle	degrees	34	34
R	Outer size of tyres	ø mm	570	570
1A	Maximum radius external	mm	2.225	2.225
1B	Turning radius on outer edge	mm	1.967	1.967
1C	Inner turning radius	mm	978	978
1D	Width on standard tyres	mm	920	920



MODELS

TOBROCO-GIANT has been manufacturing quality GIANT machines and attachments since 1996 when we opened our first factory in the Netherlands. Today, TOBROCO-GIANT offers one of the broadest product portfolios in the business with 35 different models in 60 countries.

TOBROCO-GIANT supplies machines from 750 kg until 6.000 kg with engines from 20 hp till 76 hp for the worldwide machine market. Which machine will you choose?



SK212G
SK202D
SK252D



G1100
G1200



G1100 TELE
G1200 TELE



G1500
G1500 X-TRA



G2200 (X-TRA)
G2200 (X-TRA) HD
G2200 (X-TRA) HD+



G2200E
G2200E X-TRA



G2300 HD
G2300 X-TRA HD



G2500 HD
G2500 X-TRA HD



G2700 (X-TRA) HD
G2700 (X-TRA) HD+




G3500
G3500 X-TRA
G3500 TELE



G5000
G5000 X-TRA
G5000 TELE



GT5048

 *Electric*



TOBROCO-GIANT

Industrielaan 2
5061 KC Oisterwijk (The Netherlands)
Tel +31 (0)13-5211212
Fax: +31 (0)13-5234045
Internet: www.tobroco-giant.com
E-Mail: info@tobroco-giant.com

All technical data in this brochure refer to under Central European operating conditions tested series models and describe the standard functions. Specifications and their modes of operation, as well as accessories, depend on the model and the options of the product, as well as country-specific regulations in the country of sale. Images may show non-listed or non-standard available products. The descriptions, illustrations, weights and technical data are not binding and are in accordance with the state of the art at the time of going to press. Changes in the design, equipment, optics and technology are due to the continuous development of its products without prior notice. Do you need special functions which are only available through the use of additional components and / or under special circumstances, please contact us! We will be happy to answer your questions and let you know whether and under what conditions regarding the product and the environmental conditions special functions are realizable. When doubts about the capacity or the performance of our products under special circumstances, we recommend to perform under controlled conditions. Testing activities despite the utmost care, we cannot rule out deviations from illustrations or dimensions, calculation errors, misprints or omissions in this brochure. We therefore accept no liability for the correctness and completeness of the information contained in this brochure. As part of our General Terms and Conditions, we guarantee the proper functioning of our products. Furthermore Linear guarantees we provide in principle. A further liability than outlined in our Terms and Conditions is excluded.

